

## MOUNTING INFORMATION

Read all instructions before proceeding.

- 1). These instructions show the orientation of the light after the proper mounting location has been determined.
- 2). These lights are supplied with the proper circuit for operation on a nominal 12 volt system. Maximum draw is 9 watts.
- 3). These lights contain no user serviceable components.
- 4). Draw a 8-1/2 inch long reference line through the center of the selected mounting location.
- 5). Cut out the appropriate mounting template below. Tape it on the mounting surface such that the reference line (drawn above) passes through the exact center of the template.
- 6). Drill four holes through the template as indicated for the #8 mounting screws and holes 1/4" diameter to accommodate the wiring as indicated on template.
- 7). Attach the light brackets to the mounting surface using #8 mounting screws.
- 8). To wire units supplied without integral switch:

**On white only fixtures:**

- Connect leads to switched power (on/off). **Observe polarity.**
- This fixture can be connected to an external, 12 volt marine-service dimmer.

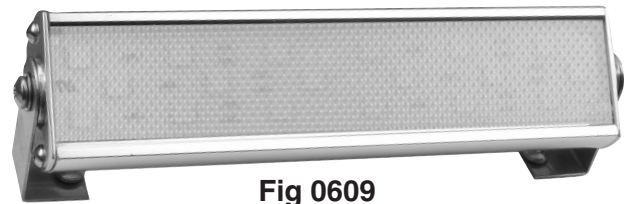
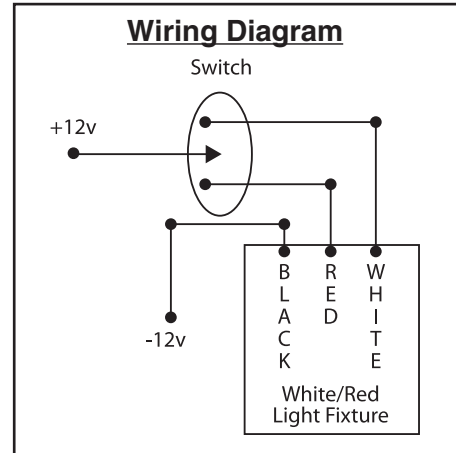
**On white/red fixtures:**

- Connect leads to switched power using a SPDT (center off) switch. **Observe polarity.** (See wiring diagram).
- This fixture can be connected to an external, 12 volt, marine-service dimmer.

- 9). To wire units supplied with integral switch:
  - Connect leads to switched power (on/off). **Observe polarity.**
  - This fixture can be connected to an external, 12volt marine-service dimmer.
- 10). Mount the light body to the brackets and tighten the end screws.

\* The above referenced standards can be obtained from:

- (1). American Boat & Yacht Council, Inc.  
613 Third Street, Suite 10  
Annapolis, MD 21403
- (2). U.S. Coast Guard  
Washington, D.C. 20593  
(or your local C.G. office)



**Fig 0609**  
without Switch  
shown

Perko, Inc.  
16490 N.W. 13th Avenue  
Miami, FL. 33169-5707  
www.perko.com

10/11  
0609INS1

## MOUNTING TEMPLATES

